



www.josoo cooler.com

JOSOO COOLERS Catalogue 2023

Josoo Brief



Founded: **In 2007** Factory Area (m²): **25000+**

Employees: **200-300+**

Prod. Capacity (pcs/month): **6000+** (Coolers) , * **100K+** (Rice Cookers, etc.) ,

Certificates:



Awards:

- " Zhongshan Quality Benchmarking Enterprise 中山市质量标杆企业 "--2021
- "Top 1000 Growth Enterprises of Guangdong Innovation Benchmarking Enterprises 广东省创新标杆企业成长百强企业 "--2020
- "Guangdong Specialized And Sophisticated Enterprises 广东省专精特新中小企业 "--2020
- "National High-tech Enterprise 国家高新技术企业 "--2018



Josoo Culture

让世界听到我们的掌声!
Let the world hear our JOSOO!

愿景
Vision

努力成为中国制造的骄傲
Strive to be the pride of Made In China

使命
Mission

为客户提供满意的优质产品和服务
To provide clients with quality products and satisfactory service

价值观
Core Values

品质第一, 拥抱变化, 创新, 乐趣, 做人, 成果
Quality First, Embracing Change, Be Innovative,
Enjoy Your Job and Life, Be A Good Man, Result-oriented

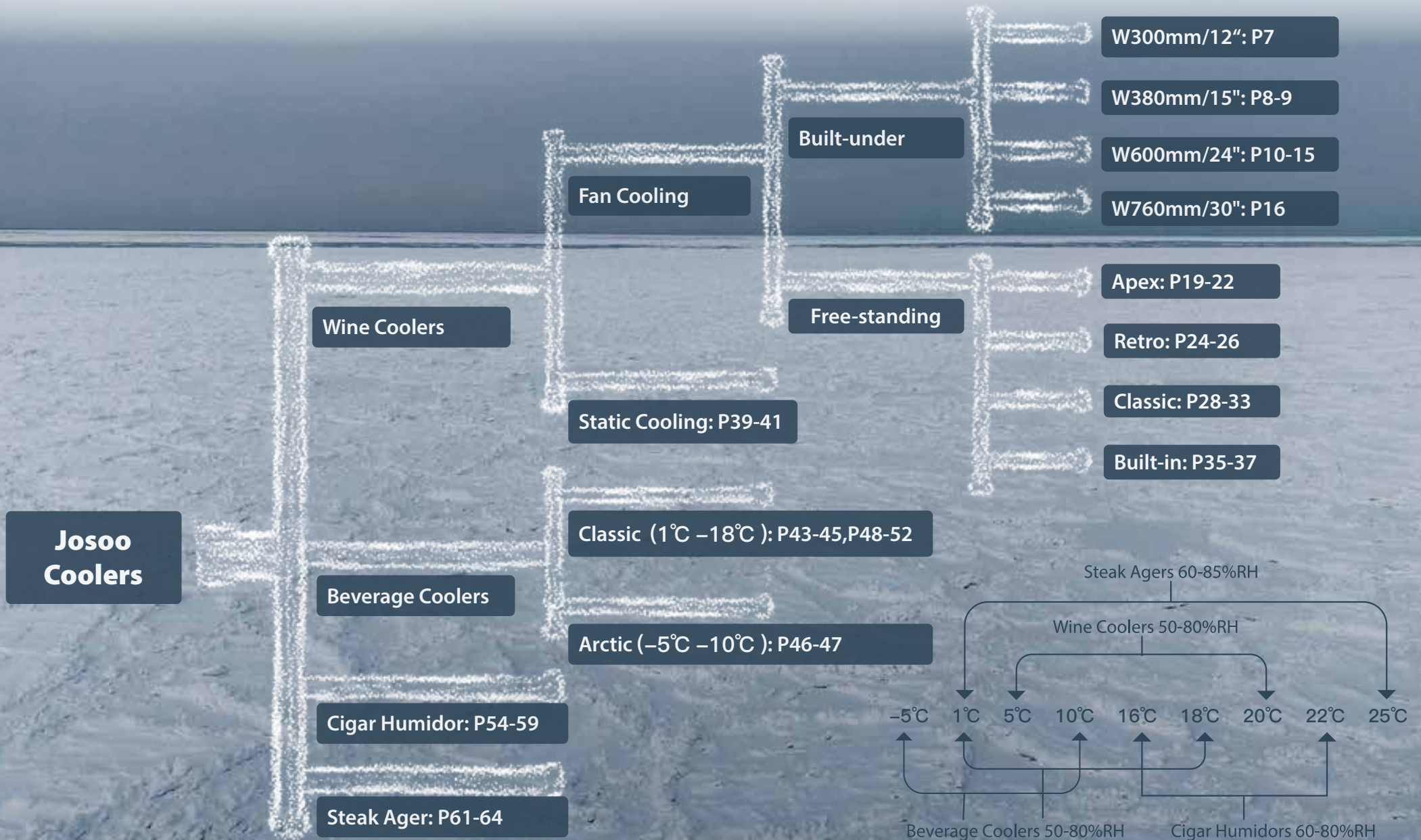
Josoo Facilities



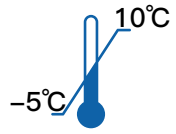
Collection



Josoo Coolers Product Line



Beverage Coolers | Build-under | Arctic | **ZS-A88P**



■ **Finish Available:**

45 Degree Corner SST Door



Mirror Glass Door



Seamless SST Door



Parallel SST Panel Door



Wire Shelf



■ **Performance**

- Temp.Zone: Single Zone;
- Energy Standard/Noise(dB(A)): /39;
- Temp.Range: -5-10°C ;

■ **Capacity**

- Storage Capacity (330ml/11.2oz): **90 Cans**;
- Net Capacity: 90L;
- Unit Size: **W380xD585xH870mm**;
- Humidity Range: 50%-80%RH;

■ **Common Features:**

- Foaming Agent/Refrigerant: C-Pentane/R600a;
- Control Type/Memory: Touch Control/ Yes;
- UV-Proof Glass: Yes, °C / °F Switch: Yes;
- Defrost Type: Auto-defrost;
- Climate Type: SN, N, ST;
- 100% CFC/HFC Free

■ **Packing/Loading :**

- Packing Size: W420xD632xH910mm;
- 20'GP/40'HQ (pcs) : 123/292

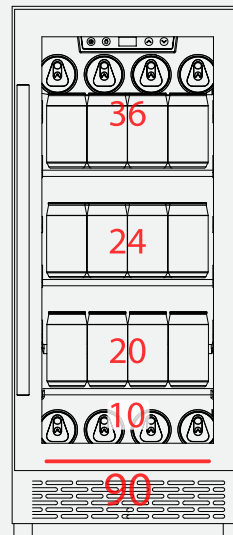
■ **Features**

- Cooling System: Comp./Fan Cooling;
- Compressor: Jiaixipera;
- Air Ventilation: By Plinth Vent Grille;
- Door Frame/Glass: Full Glass/2-Layer, Tempered Clear Glass;
- Reversible Door: Yes;
- Handle Type: SST;
- Shelf: 3 Wire Shelves;
- Display: Blue/White LED Display;
- Lighting: White On Top;
- Winter Care: N/A;
- Cabinet/Plinth Vent Grille Color:Black/Black;
- Certificates: CB/CE/ETL/RoHS/REACH

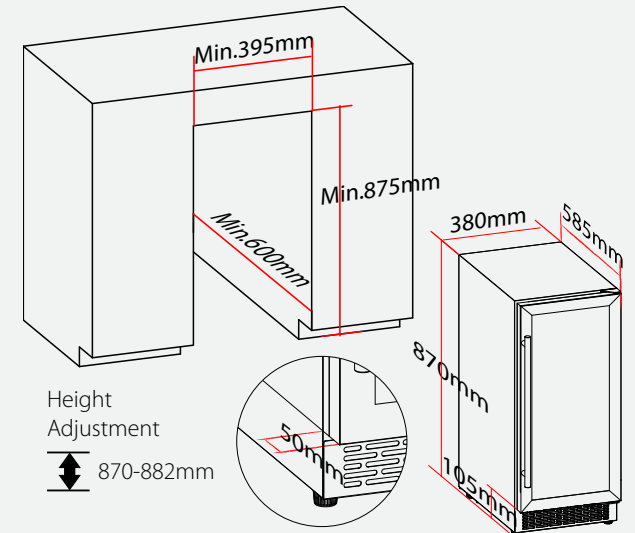
■ **Extra Options:**

- Lock & Key: Option;
- Carbon Filter: Option;

■ **Beverage Loading Drawing:**



■ **Installation Drawing: Build-under**



Beverage Coolers | Build-under | Arctic | **ZS-A150P** | W598mm



■ **Performance**

- Temp.Zone: Single Zone;
- Energy Standard/Noise(dB(A)): /39;
- Temp.Range: -5-10°C ;

■ **Capacity**

- Storage Capacity (330ml/11.2oz): **151 Cans**;
- Net Capacity: 148L;
- Unit Size: **W598xD585xH870mm**;
- Humidity Range: 50%-80%RH;

■ **Common Features:**

- Foaming Agent/Refrigerant: C-Pentane/R600a;
- Control Type/Memory: Touch Control/Yes;
- UV-Proof Glass: Yes, °C / °F Switch: Yes;
- Defrost Type: Auto-defrost;
- Climate Type: SN, N, ST;
- 100% CFC/HFC Free

■ **Packing/Loading :**

- Packing Size: W650xD645xH910mm;
- 20'GP/40'HQ (pcs) : 54/152

■ **Features**

- Cooling System: Comp./Fan Cooling;
- Compressor: Jiaixipera;
- Air Ventilation: By Plinth Vent Grille;
- Door Frame/Glass: Full Glass/2-Layer, Tempered Clear Glass;
- Reversible Door: Yes;
- Handle Type: SST;
- Shelf: 3 Wire Shelves;
- Display: Blue/White LED Display;
- Lighting: White On Top;
- Winter Care: N/A;
- Cabinet/Plinth Vent Grille Color:Black/Black;
- Certificates: CB/CE/ETL/RoHS/REACH

■ **Extra Options:**

- Lock & Key: Option;
- Carbon Filter: Option;

■ **Finish Available:**

45 Degree Corner SST Door



Seamless SST Door



Wire Shelf



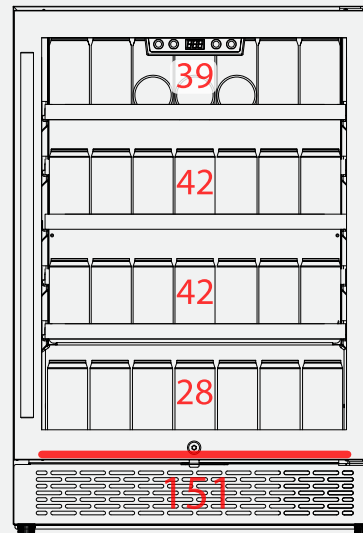
Mirror Glass Door



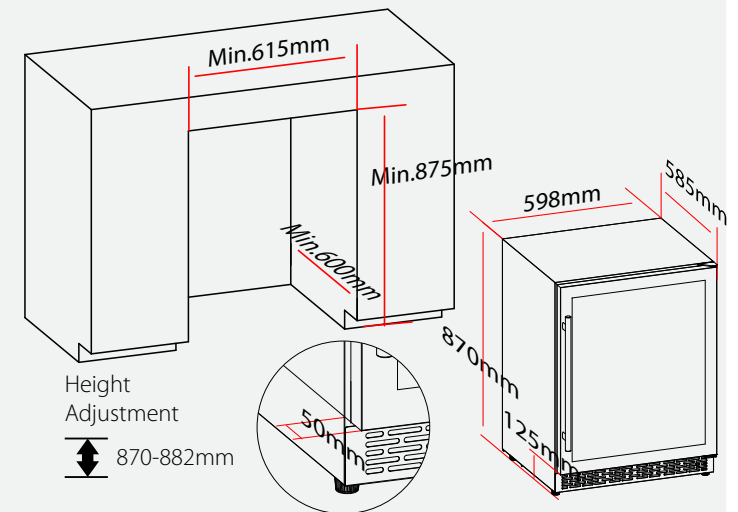
Parallel SST Panel Door



■ **Beverage Loading Drawing:**



■ **Installation Drawing: Build-under**



Handle Options



LS01 (490mm)



LS02 (490mm)



LS03 (490mm)



LS04 (870mm)



LS05 (490mm)



LS06 (490mm)



LS07 (490mm)



LS08 (490mm)

JOSOO

JOSOO

ZHONGSHAN JOSOO ELECTRIC APPLIANCE CO.,LTD.

No.9, Qiye North Road, Maxin Industry Zone, Huangpu Town, Zhongshan City, Guangdong, China

0760-23309226

0760-23309225

sales@josoo.com.cn

www.josoo cooler.com